



Innovative Technology

INTELLIGENCE IN VALIDATION

Spectral BNF

"Bunch Note Feeder"



BNF with NV200 Spectral
+ 2200 Note Cashbox



FEATURES

- 100 note capacity bunch feeder
- Acceptance speed <2 seconds
- Constant refill available
- Compatible with all NV200 Spectral products including Safe Interface
- Separate reject tray
- Cost efficient refill
- Lower operational costs
- Compatible with all NV200 Spectral currency datasets
- Quick and easy install & maintenance

HARDWARE OPTIONS



BNF with NV200 Spectral
+ 500 Note Cashbox



BNF with NV200 Spectral
+ TEBS



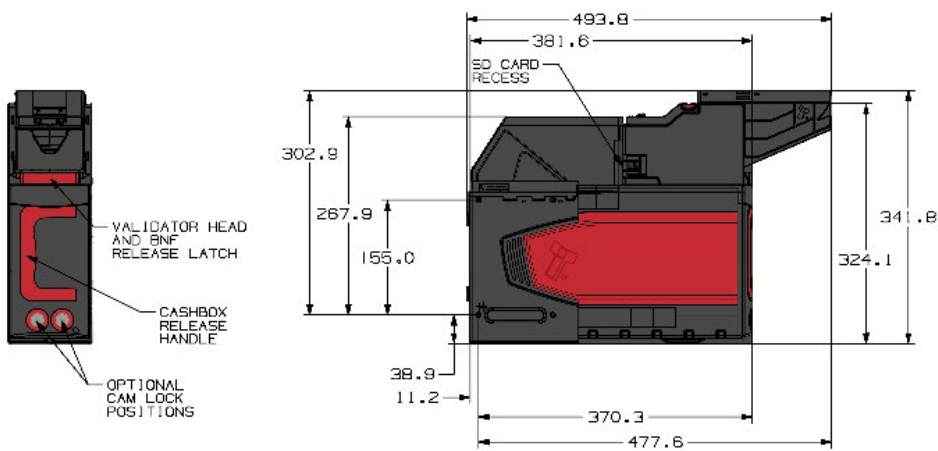
BNF with NV200 Spectral
+ 1000 Note Cashbox



BNF with Freefall

Cashbox Options

	BNF-100	BNF-200	BNF-300	BNF-400	BNF-500
500 Note	●				
1000 Note		●			
2200 Note			●		
TEBS				●	
Freefall					●



**VIEW MORE
NOTE HANDLING
PRODUCTS >>**



Find Us

Head Office

Innovative Technology Ltd (UK)
Innovative Business Park
Derker Street
Oldham
OL1 4EQ



Telephone

+44 (0) 161 626 9999



Email

sales@innovative-technology.com