

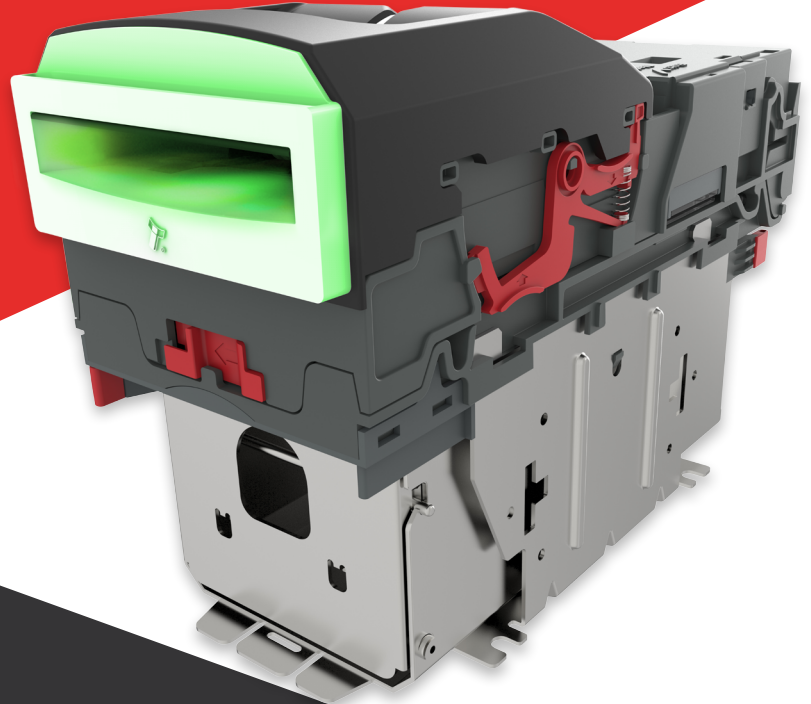


Innovative Technology

INTELLIGENCE IN VALIDATION

NV9 USB

“Enhanced sensing technology”



- Exceptional field reliability
- Enhanced sensing technology
- Cashbox & bezel options to suit all applications
- Future proof
- Modular design - recycler or ticket printer available



FEATURES

- Various cashbox and bezel options
- Proven field reliability
- Enhanced sensing technology = high acceptance rate for multi-currency
- Easy maintenance, free firmware updates
- Over 100 different world currencies accepted
- Modular design - recycler or ticket printer available



BENEFITS

- Versatile validator, suitable for all applications
- Lowest cost of ownership
- Takes more cash
- Future proof - quick & easy updates via USB, PC or handheld programmer
- A truly global product
- Ability to add note recycling or ticketing

Technical Specification

Power

Requirements: 12V
Standby: 0.2A
Running: 1A
Peak: 1.5A

Interfaces

USB option
Open collector

Protocols

SSP* Parallel
ccTalk* Binary
MDB* Serial*
Pulse

Bezel Options

66/69/82mm width Vertical up/down
Various snout options Horizontal
Rainbow illumination options*

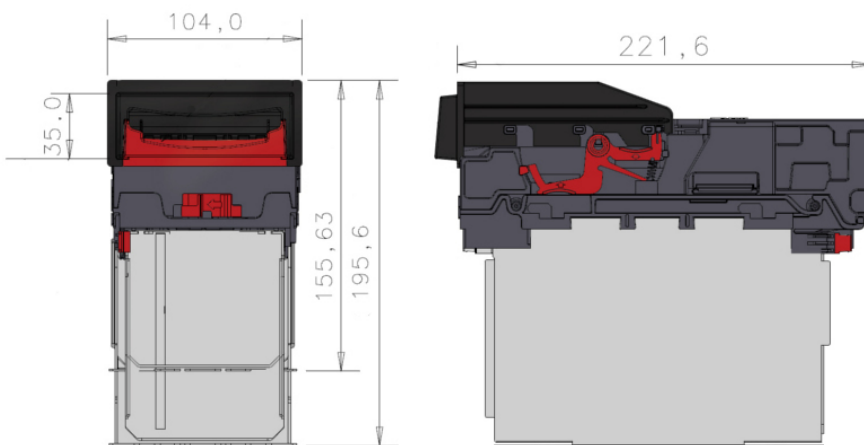
Cashbox Options

300/600 slide
300/600 clip
300 lockable
Stackerless

MCBF

200,000

* Rainbow illumination bezel compatible with serial protocols only



- Weight: 1.7kg

**VIEW MORE
NOTE HANDLING
PRODUCTS >>**



Find Us

Head Office

Innovative Technology Ltd (UK)
Innovative Business Park
Derker Street
Oldham
OL1 4EQ



Telephone

+44 (0) 161 626 9999



Email

sales@innovative-technology.com



Innovative Technology

INTELLIGENCE IN VALIDATION

www.innovative-technology.com

NV9 USB

Standard Options

NV9-USB 403

NV9-USB 104

NV9-USB 304

NV9-USB 404

NV9-USB 106

NV9-USB 206

NV9-USB 307

NV9-USB 407