

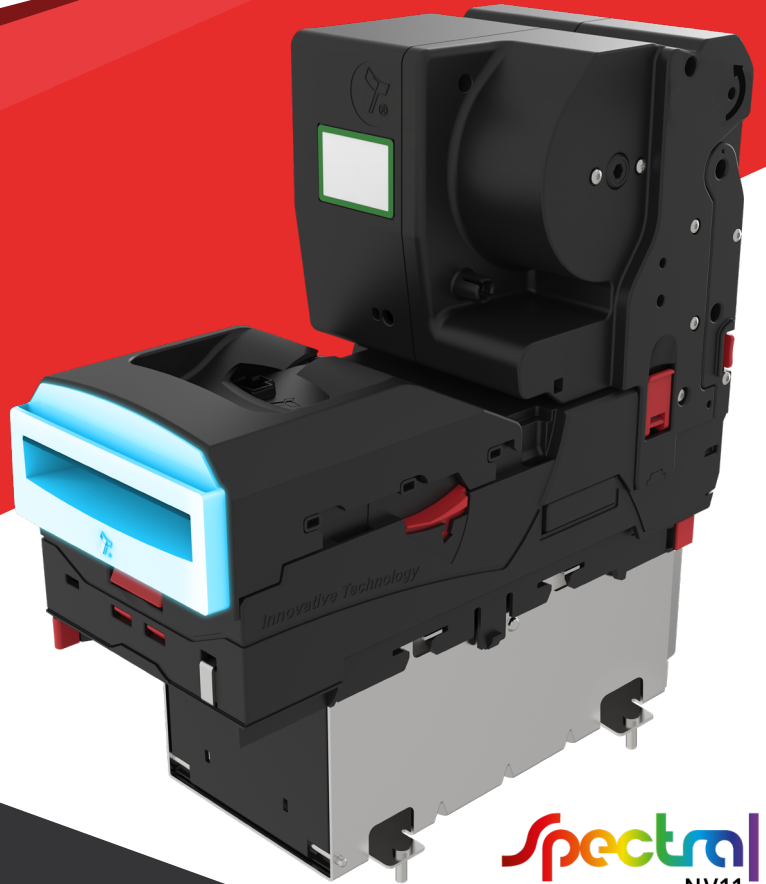


**Innovative Technology**

INTELLIGENCE IN VALIDATION

## NV11 Spectral

*“Market leading, compact note recycler”*



- Full note high resolution imaging - 1.28 million data points
- Optical and mechanical anti-strimming technology
- Significantly reduces operational costs
- Maximises operational efficiency



### FEATURES

- 30 note single denomination recycler
- Optical and mechanical anti-strimming technology
- Dramatically reduces coin float levels
- Easy maintenance, free firmware updates
- All notes in the Note Float can be transferred to the cashbox for easy collection



### BENEFITS

- Maximises cash efficiency and reduces coin starvation
- Unrivalled genuine note detection & protection against fraudulent notes
- Significantly lowers operational costs
- Future proof - quick & easy updates via USB, PC or handheld programmer
- Lowest operator collection costs

## Technical Specification

### Power

Requirements: 12V  
Standby: 350mA  
Running: 3A  
Peak: 3.5A

### Protocols

SSP  
ccTalk

### Interfaces

USB  
Open Collector

### Note Dimensions

Width: 60 - 82 mm  
Length: 115 - 150 mm

### Recycler Capacity

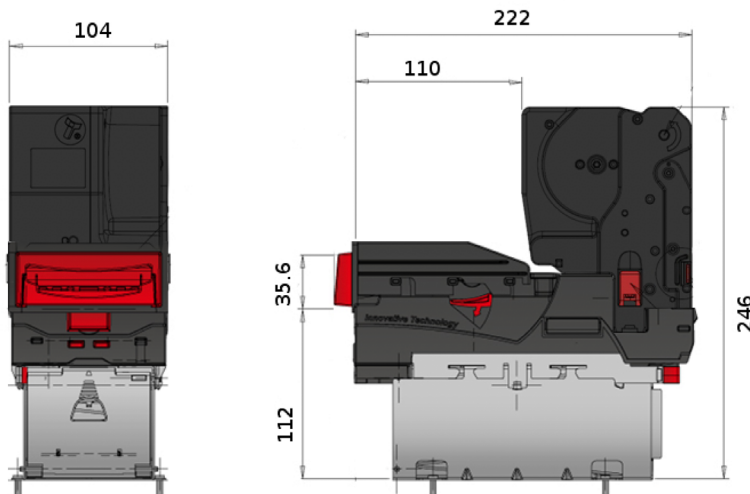
30 notes

### Bezel Options

82mm horizontal  
82mm chamfered  
Rainbow illumination

### Cashbox Options

300 standard  
300 lockable  
300 / 600 slide



- Weight: 2.2kg

**VIEW MORE  
NOTE HANDLING  
PRODUCTS >>**



### Find Us

#### Head Office

Innovative Technology Ltd (UK)  
Innovative Business Park  
Derker Street  
Oldham  
OL1 4EQ



### Telephone

+44 (0) 161 626 9999



### Email

sales@innovative-technology.com