



Innovative Technology

INTELLIGENCE IN VALIDATION

BV50

“Designed for 66mm bills”



- Designed specifically for 66 mm bills
- Cashbox options to suit all applications
- Quick transactions
- Ideal for amusement & vending applications



FEATURES

- Fixed 66 mm width bezel
- Proven field reliability
- Exceptional value
- Easy maintenance, free firmware updates
- MDB power supply unit & 110V options



BENEFITS

- Designed specifically for single width bills
- Lowest cost of ownership
- Fast repayment of initial investment
- Future proof - quick & easy updates via PC or handheld programmer
- Ideal for amusement & vending applications



Innovative Technology

INTELLIGENCE IN VALIDATION

Technical Specification

Power

Requirements: 12V

Standby: 0.4A

Running: 1.5A

Peak: 3A

Bezel Options

66mm width

Protocols

SSP

ccTalk

MDB

Pulse

Parallel

Binary

Serial

Interfaces

Open collector

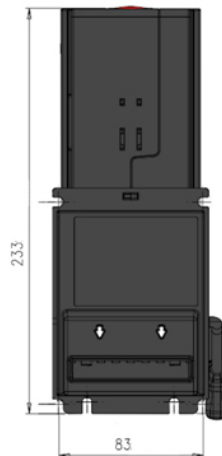
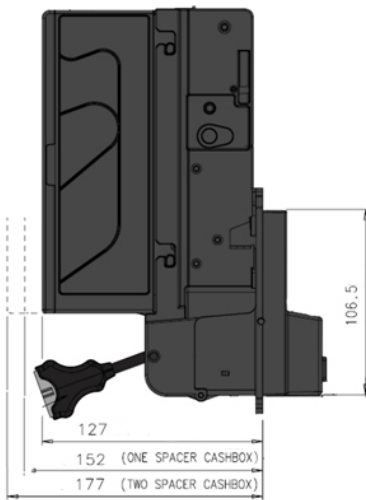
Cashbox Options

300 bills

550 bills

800 bills

1050 bills



- Weight: 0.8kg

**VIEW MORE
NOTE HANDLING
PRODUCTS >>**



Find Us

Head Office

Innovative Technology Ltd (UK)

Innovative Business Park

Derker Street

Oldham

OL1 4EQ



Telephone

+44 (0) 161 626 9999



Email

sales@innovative-technology.com