

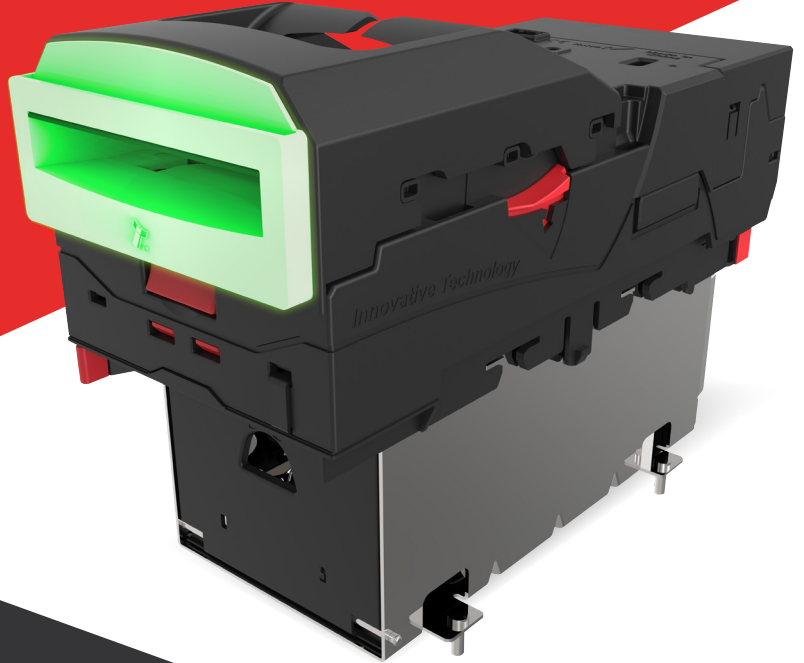


**Innovative Technology**

POWERING TRANSACTIONS AND INTERACTIONS

## NV9 Spectral

*“The most technically advanced bill validator in its class”*



- Full bill high resolution imaging - 1.28 million data points
- Faster bill to bill processing
- Optical and mechanical anti-strimming technology
- Modular design – recycler or ticket printer available



### FEATURES

- Full bill high resolution imaging - 1.28 million datapoints
- Fast bill to bill processing
- Optical & mechanical anti-strimming technology
- Various cashbox and bezel options
- Modular design recycler or ticket printer available
- Easy maintenance, free firmware updates



### BENEFITS

- Unrivalled genuine bill detection & protection against fraudulent bills
- Speeds up transaction time & operator profitability
- Outstanding fraud protection
- Versatile validator, suitable for all applications
- Ability to add bill recycling or ticketing
- Future proof – quick & easy updates via USB, PC or handheld programmer



**Innovative Technology**

POWERING TRANSACTIONS AND INTERACTIONS

## Technical Specification

### Power

Requirements: 12 /24 V

Standby: 0.2A

Running: 1A

Peak: 2.5A

### Interfaces

USB option

Open collector

### Protocols

SSP

ccTalk

### Bezel Options

66/69/82mm width

Rainbow illumination

Various snout options

Vertical up/down

Horizontal

### Cashbox Options

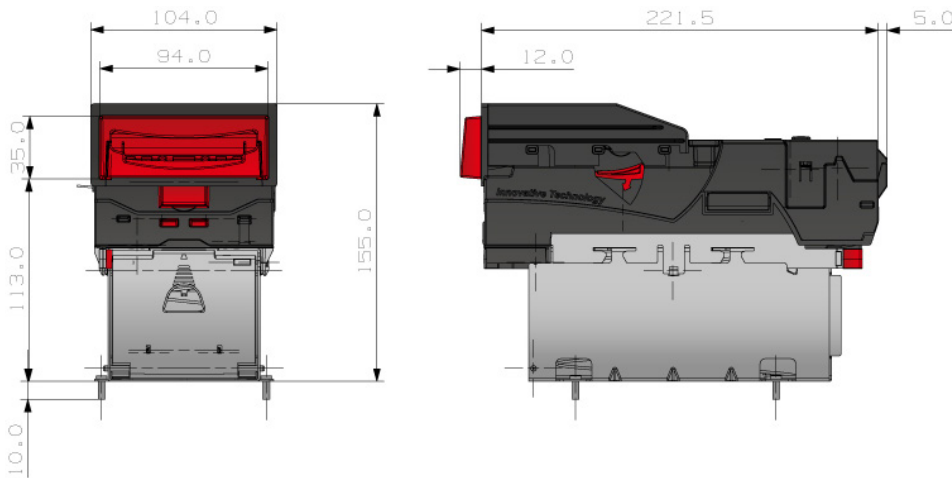
300/600 slide

300/600 clip

300 lockable

### MCBF

200,000



- Weight: 1.4kg

**VIEW MORE  
BILL HANDLING  
PRODUCTS >>**



### Find Us

#### Head Office

Innovative Technology Ltd (UK)

Innovative Business Park

Derker Street

Oldham

OL1 4EQ



### Telephone

+44 (0) 161 626 9999



### Email

sales@innovative-technology.com