



Innovative Technology

INTELLIGENCE IN VALIDATION

Spectral TEBS

"Tamper evident bag system"



Spectral
TEBS

- Secure tamper evident cashbag
- Spectral validation technology
- Secure closed loop accounting
- Eliminates cash shrinkage



FEATURES

- Unique barcode on each cashbag for full audit traceability
- Add on recycler and ticket printer options
- Full spectral imaging sensors validate the authenticity of notes
- High capacity cashbag reduces number of cash in transit visits
- Lockable, removable cashbox holding up to 1000 new notes



BENEFITS

- Eliminates shrinkage and accounting errors
- One device suitable for all applications
- Unrivalled genuine note detection & protection against fraudulent notes
- Reduces cash in transit collection costs
- High capacity device maximising cash handling efficiency

Technical Specification

Power

Requirements: 24V
Standby: 400mA
Running: 1.5A
Peak: 5.6A

Protocols

SSP

Interfaces

USB
RS232
Open Collector

Bezel Options

82 / 85 mm width
Metal bezel
Self-aligning bezel
Various illumination options

Cashbag Capacity

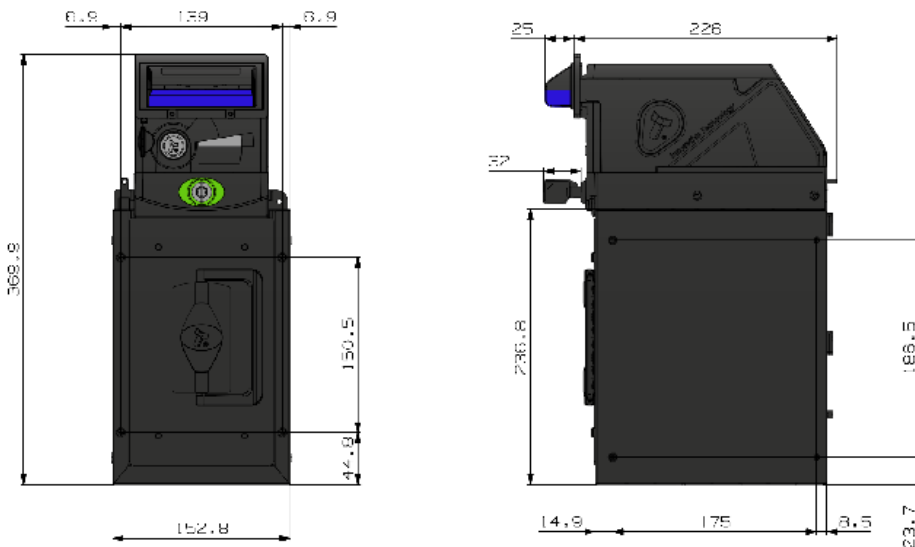
Up to 1000 notes

Note Dimensions

Width: 60 - 85 mm
Length: 115 - 162 mm

MCBF

100,000



- Weight: 7.0kg

**VIEW MORE
NOTE HANDLING
PRODUCTS >>**



Find Us

Head Office

Innovative Technology Ltd (UK)
Innovative Business Park
Derker Street
Oldham
OL1 4EQ



Telephone

+44 (0) 161 626 9999



Email

sales@innovative-technology.com