



Innovative Technology

INTELLIGENCE IN VALIDATION

NV200 Spectral

"The most technically advanced bill validator in its class"



- 100% bill image capture
4.8 million datapoints
- 99%+ first time acceptance of
new & street grade bills
- 2 second bill to bill processing



FEATURES

- Full spectral imaging sensors validate the authenticity of bills
- Optical & mechanical anti-strimming technology
- 2 seconds bill to bill processing time
- 4 way barcode acceptance
- Bill centering mechanism
- Internal memory for data logging and SD card for simple updates



BENEFITS

- Unrivalled genuine bill detection & protection against fraudulent bills
- Outstanding fraud protection
- Speeds up transaction time & operator profitability
- Increases ticket acceptance rates & user satisfaction
- Exceptional bill handling & reliability
- Best in class performance & future proofs your investment

Technical Specification

Power

Requirements: 12/24V
Standby: 400mA
Running: 1.5A
Peak: 3A

Protocols

SSP
ccTalk

Interfaces

USB 2.0
RS232
Open collector
Opto-isolated

Bill Dimensions

Width: 60 - 85mm
Length: 115 - 170mm

MCBF

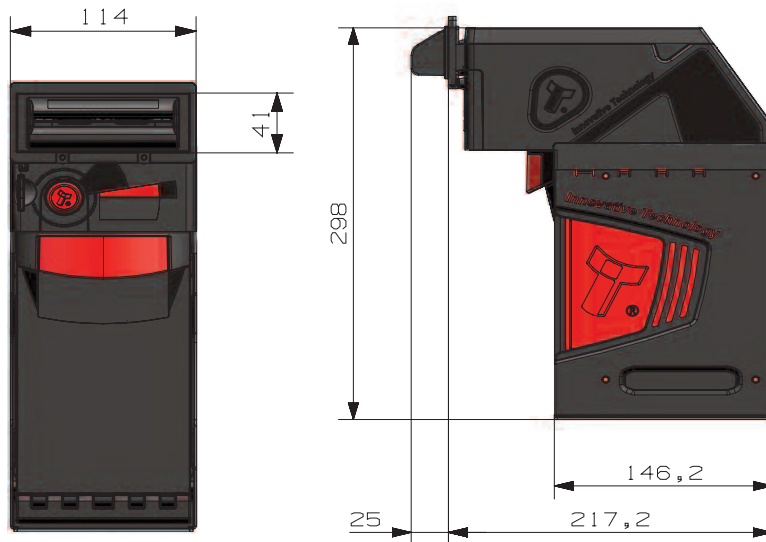
200,000

Cashbox Options

500 bills
1000 bills

Bezel Options

82/85mm width
Metal bezel
Self-aligning bezel
Various illumination options



- Weight: 3.2kg

**VIEW MORE
NOTE HANDLING
PRODUCTS >>**



Find Us

Head Office

Innovative Technology Ltd (UK)
Innovative Business Park
Derker Street
Oldham
OL1 4EQ



Telephone

+44 (0) 161 626 9999



Email

sales@innovative-technology.com